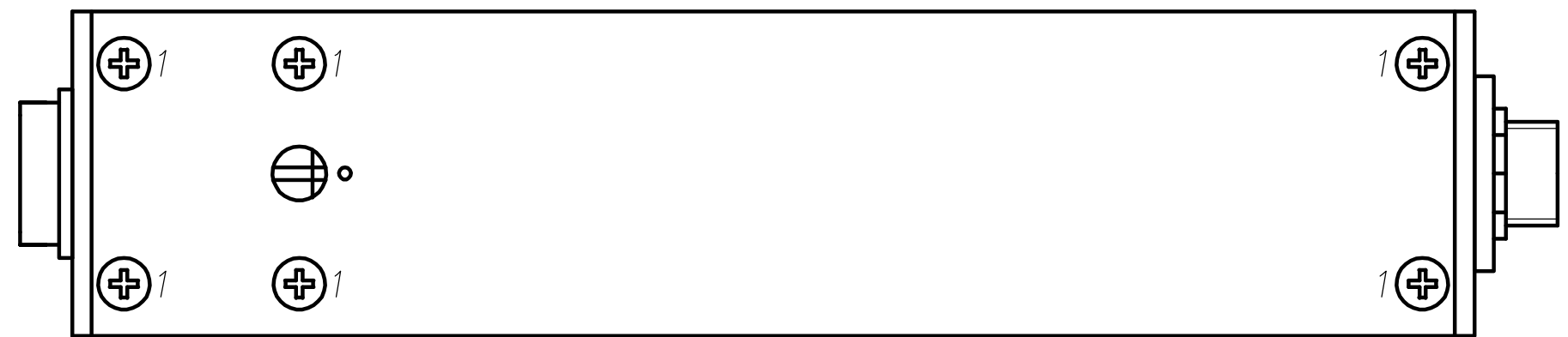
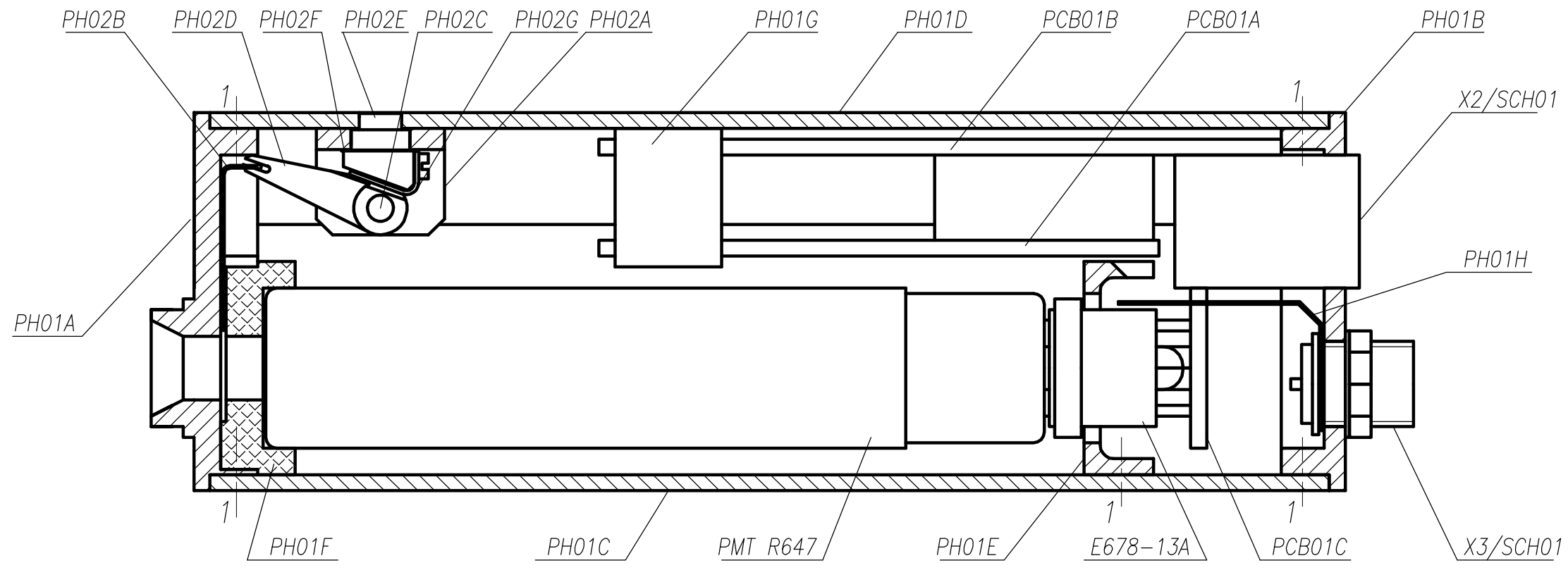


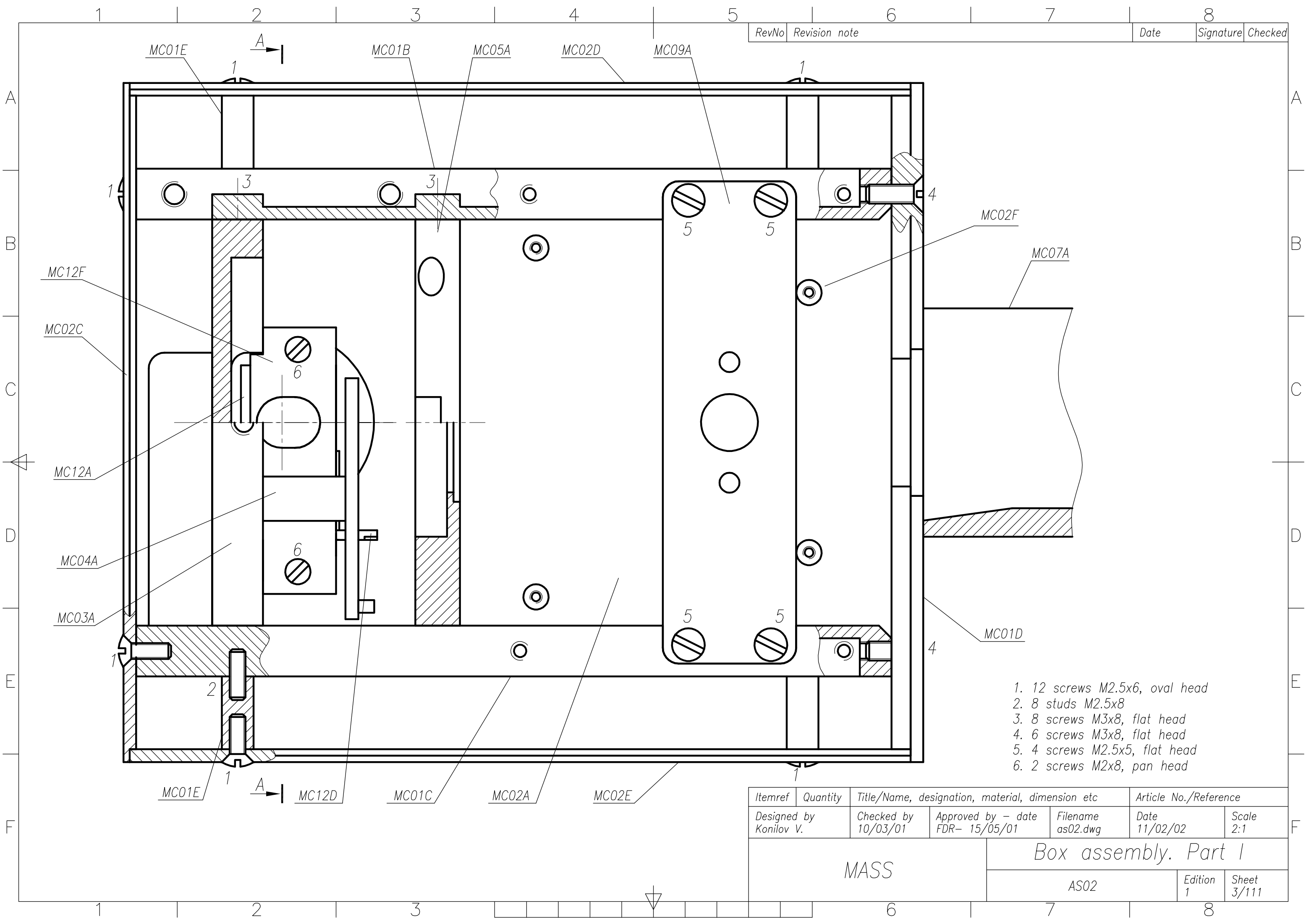
Itemref	Quantity	Title/Name, designation, material, dimension	Article No./Reference
Designed by Kornilov V	Checked by Kornilov V	Approved by - date Kornilov V FDR - 25/04/01	as00.dwg
Date 18/02/02		Scale 2:1	
Edition 1		Sheet 1/1	

ASOO
1/111



1. 12 screws M2x5, flat head

Itemref	Quantity	Title/Name, designation, material, dimension etc			Article No./Reference	
Designed by Kornilov V	Checked by Kornilov V	Approved by – date FDR– 15/05/01	Filename as01.dwg	Date 31/01/02	Scale 2:1	
MASS				Photometric module assembly		
				AS01	Edition 1	Sheet 2/111

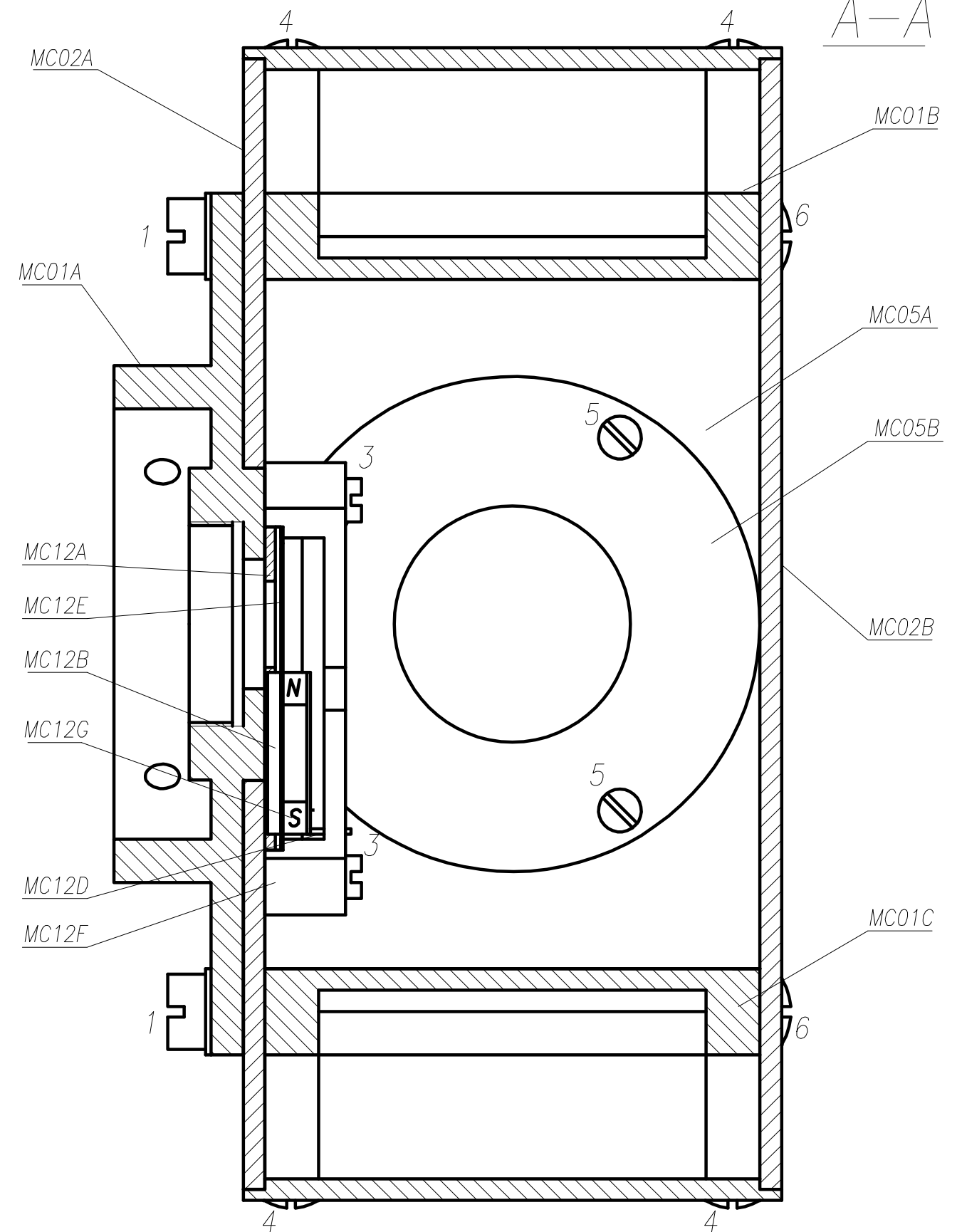
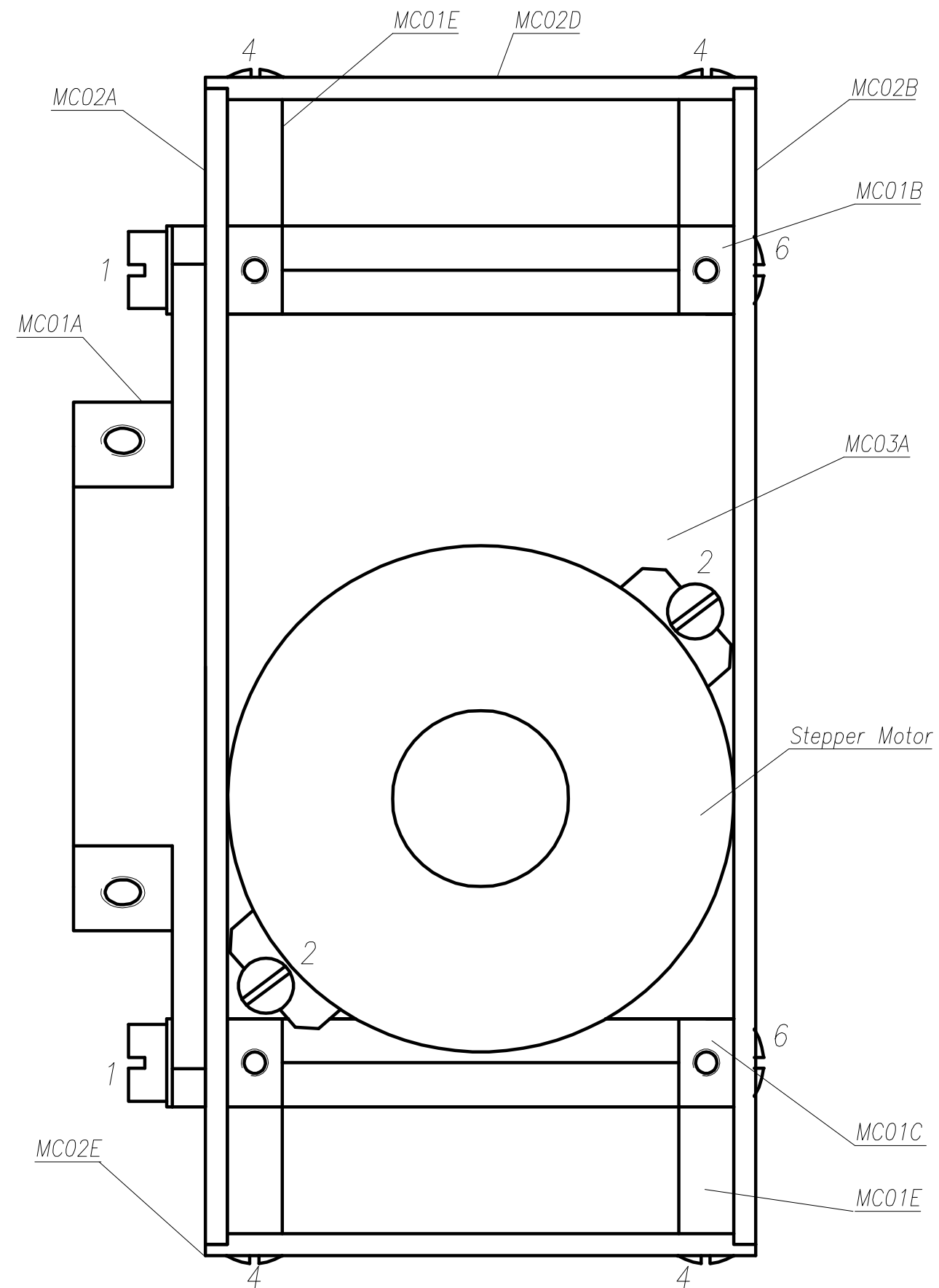


RevNo	Revision note	Date	Signature	Checked
-------	---------------	------	-----------	---------

- 1. 12 screws M2.5x6, oval head
- 2. 8 studs M2.5x8
- 3. 8 screws M3x8, flat head
- 4. 6 screws M3x8, flat head
- 5. 4 screws M2.5x5, flat head
- 6. 2 screws M2x8, pan head

Itemref	Quantity	Title/Name, designation, material, dimension etc	Article No./Reference		
Designed by Konilov V.	Checked by 10/03/01	Approved by - date FDR- 15/05/01	Filename as02.dwg	Date 11/02/02	Scale 2:1
MASS			Box assembly. Part 1		
			AS02	Edition 1	Sheet 3/111

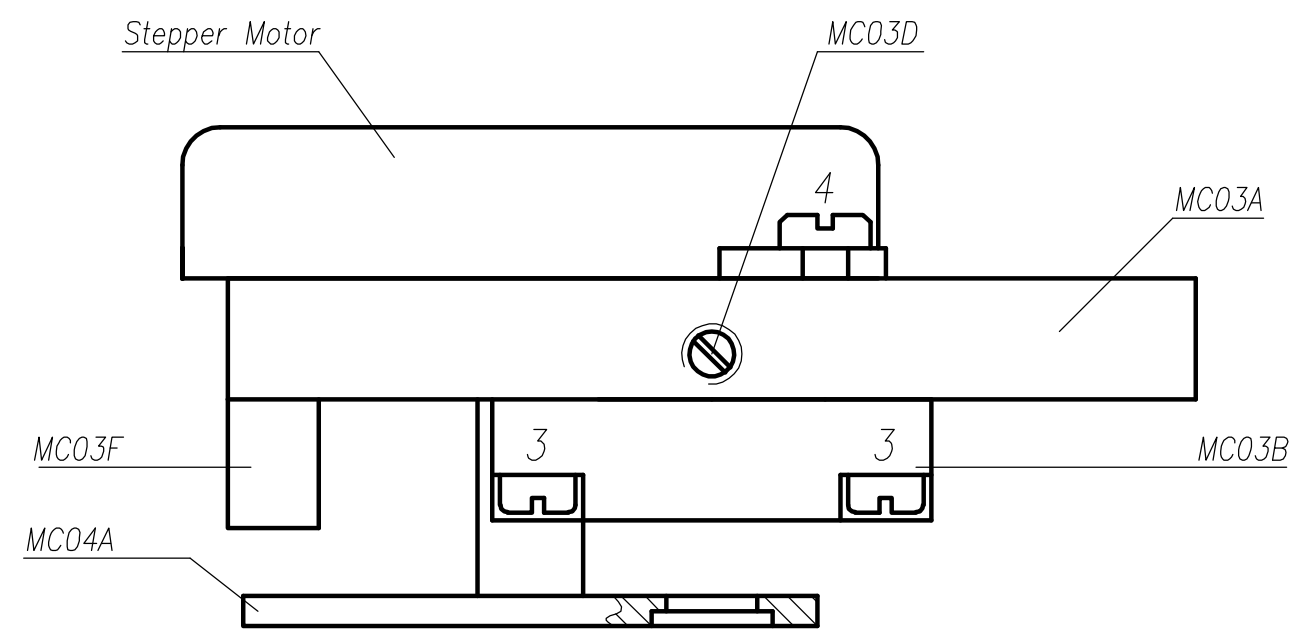
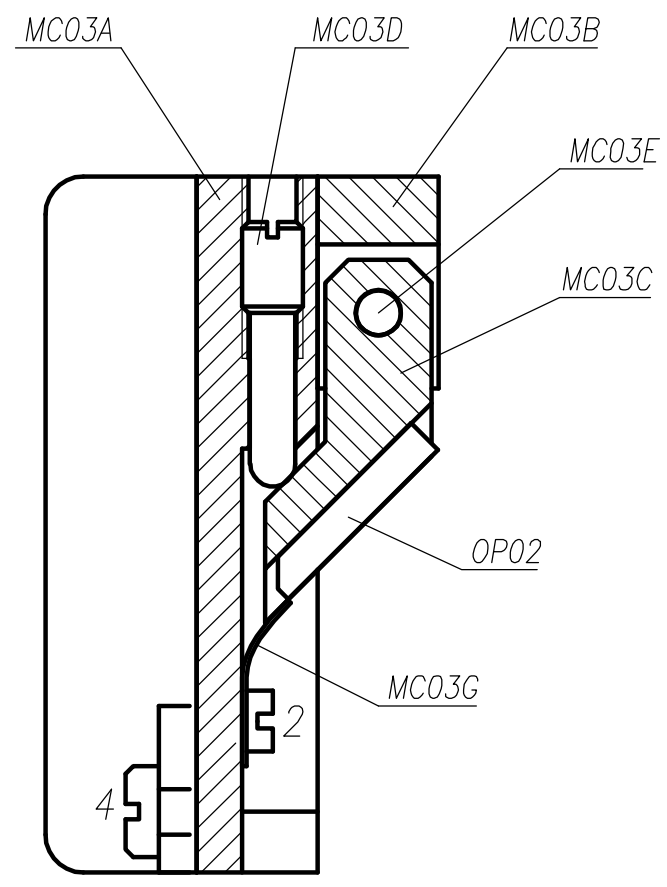
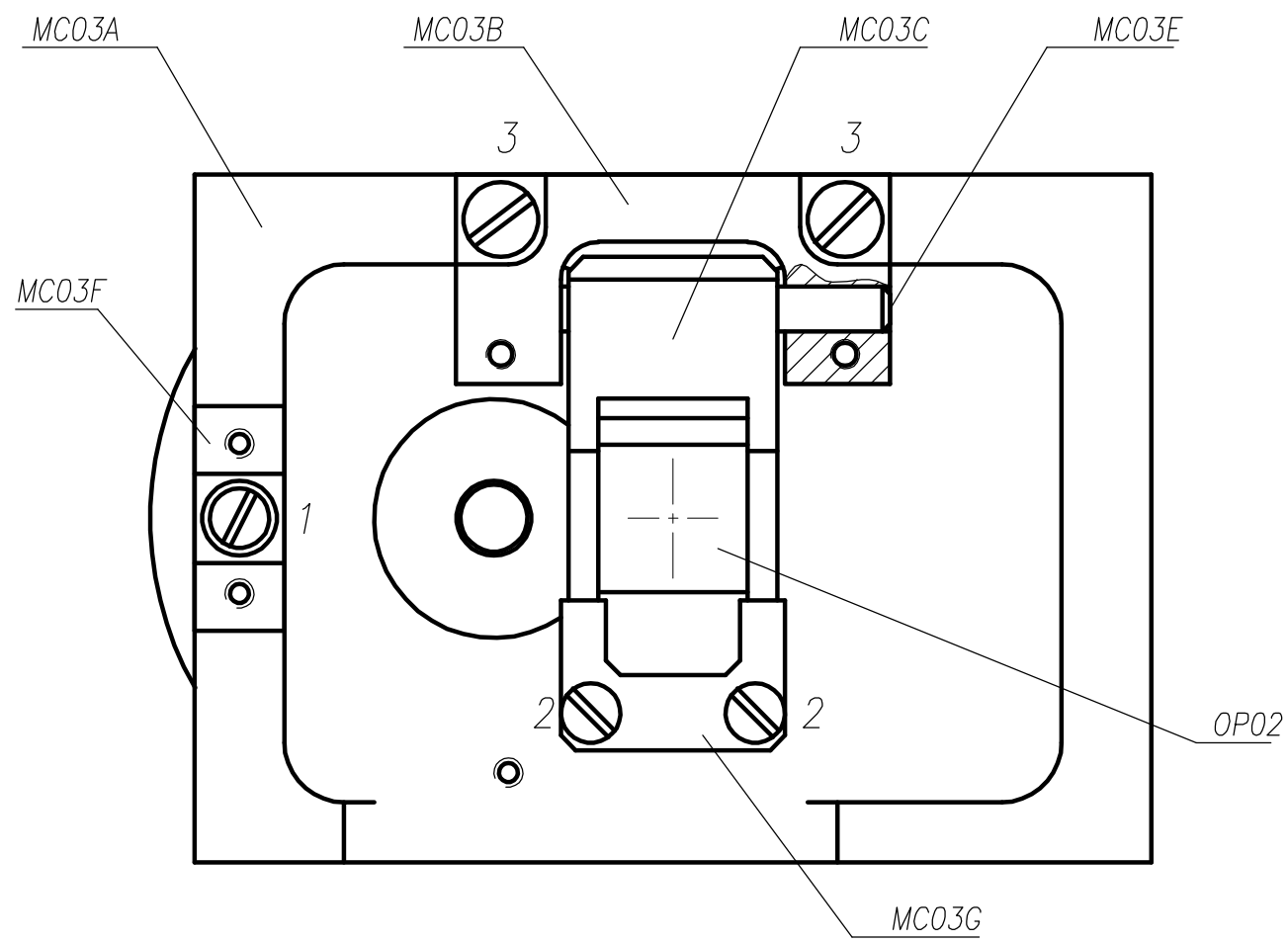
A-A



- 1. 4 screws M4x10, cyl. head
- 2. 2 screws M2.5x6, cyl. head
- 3. 2 screws M2x11, pan head
- 4. 8 screws M2.5x6, oval head
- 5. 3 screws M2x4, cyl. head
- 6. 6 screws M3x6, oval head

Itemref	Quantity	Title/Name, designation, material, dimension etc			Article No./Reference	
Designed by Konilov V.	Checked by 10/03/01	Approved by - date FDR- 15/05/01	Filename as03.dwg	Date 11/02/02	Scale 2:1	
MASS				Box assembly. Part II		
				AS03	Edition 1	Sheet 4/111

A
B
C
D
E
F



1. Screw M2x6, cyl. head
2. 2 screws M2x3, cyl. head
3. 2 screws M2.5x6, cyl. head
4. 2 screws M2.5x6, cyl. head

Itemref	Quantity	Title/Name, designation, material, dimension etc			Article No./Reference	
Designed by Kornilov V.	Checked by Kornilov V.	Approved by – date FDR– 20/04/01	Filename as04.dwg	Date 11/02/02	Scale 2:1	
MASS				Focal section assembly		
				AS04	Edition 1	Sheet 5/111

1

2

3

4

5

6

7

8

RevNo Revision note

Date

Signature

Checked

A

B

C

D

E

F

A

B

C

D

E

F

MC04B

MC04E

MC04A

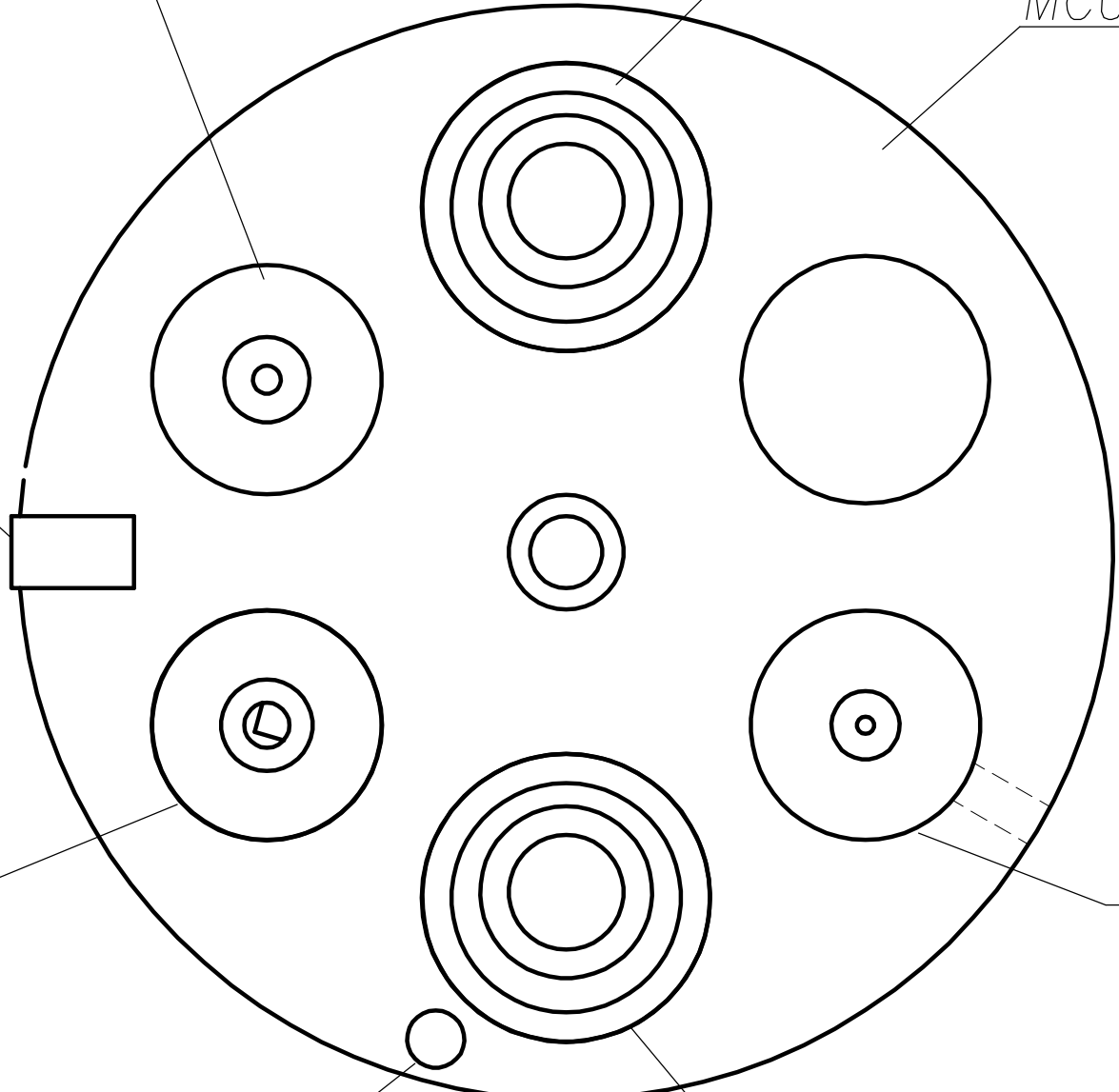
MC04F

MC04D

MC04C

MC04G

MC04E



1. MC04F cemented to MC04A
2. MC04B, MC04C, MC04D, MC04E cemented to MC04A after adjustment
3. Wheel MC04A fixed to axis of Stepper motor by screw M2x6, pan head

Itemref	Quantity	Title/Name, designation, material, dimension etc			Article No./Reference
Designed by Kornilov V.	Checked by Kornilov V.	Approved by - date FDR- 20/04/01	Filename as05.dwg	Date 11/02/02	Scale 4:1
MASS			Aperture wheel assembly		
			AS05	Edition 1	Sheet 6/111

1

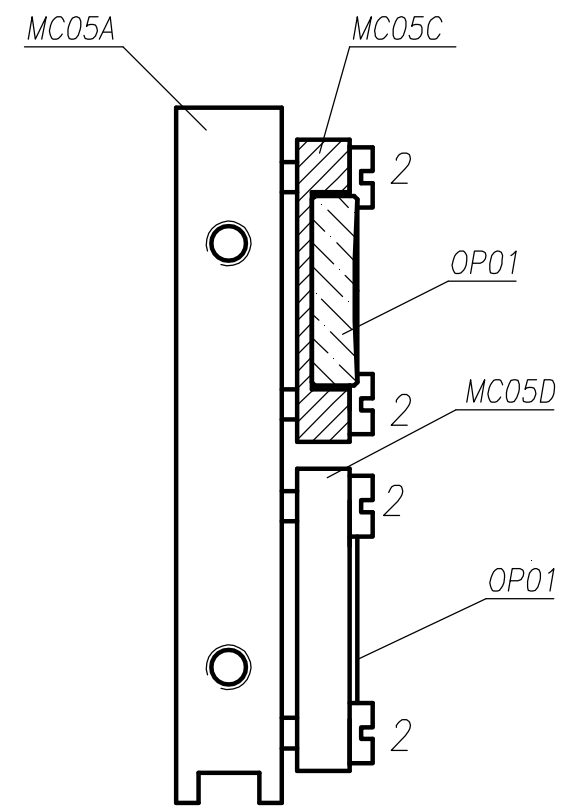
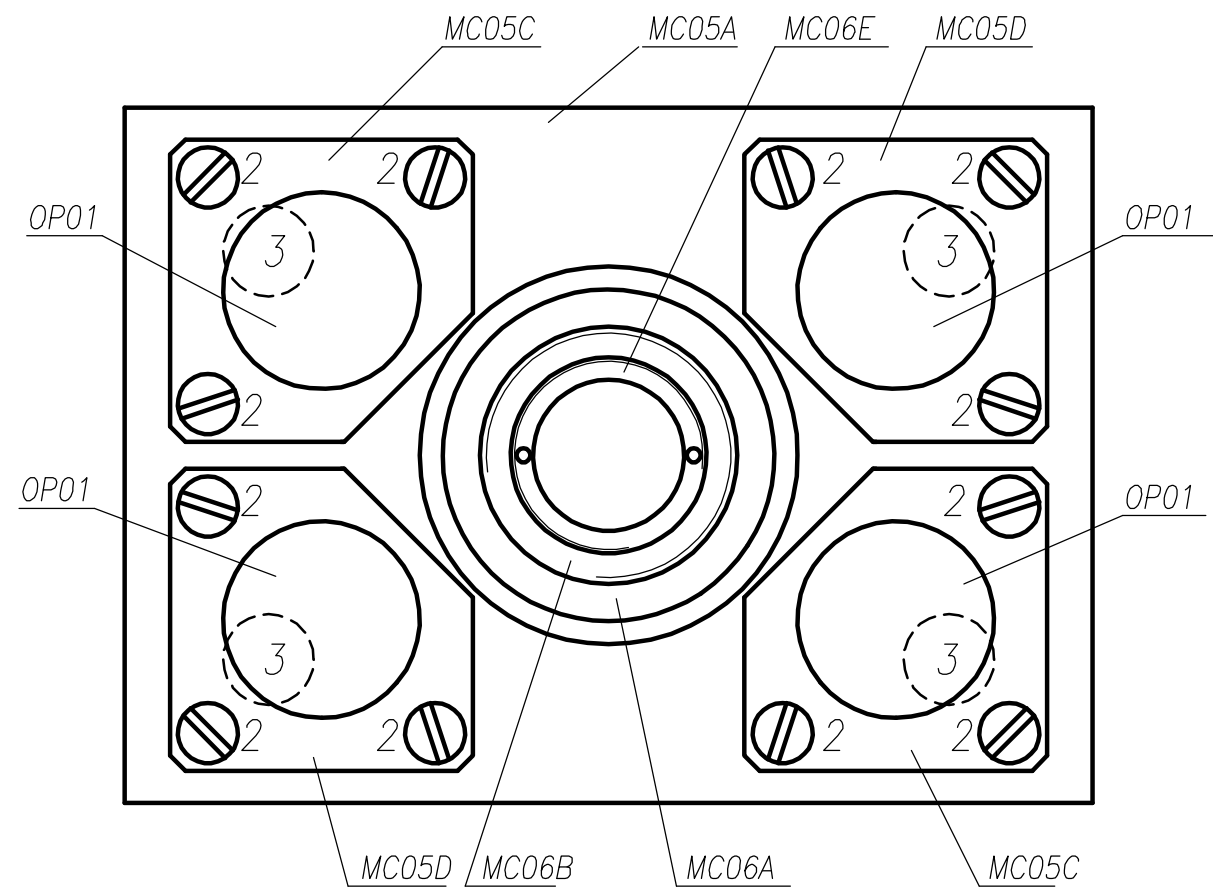
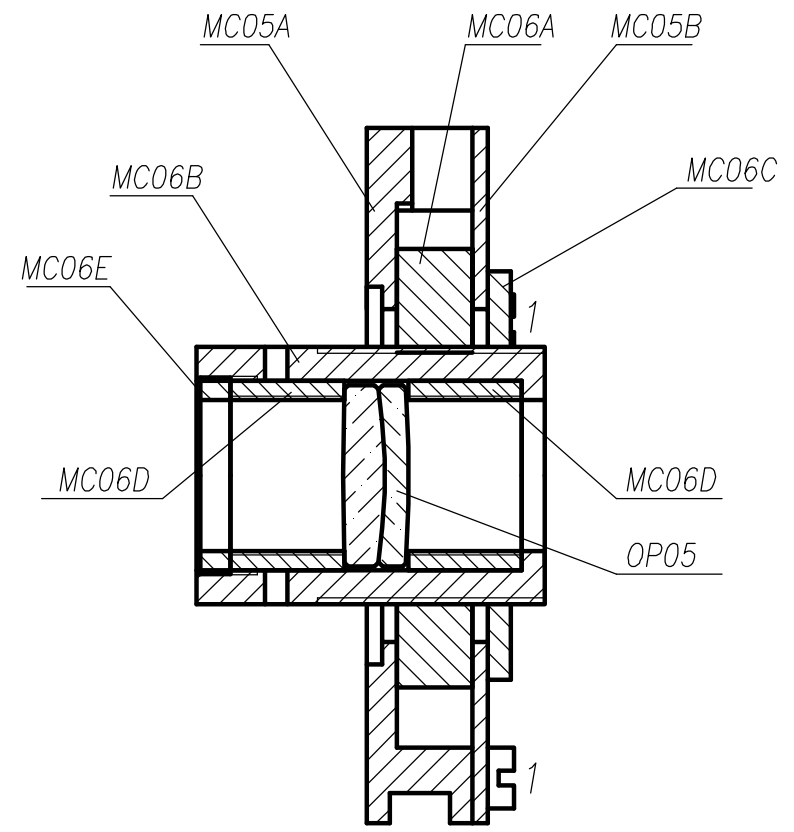
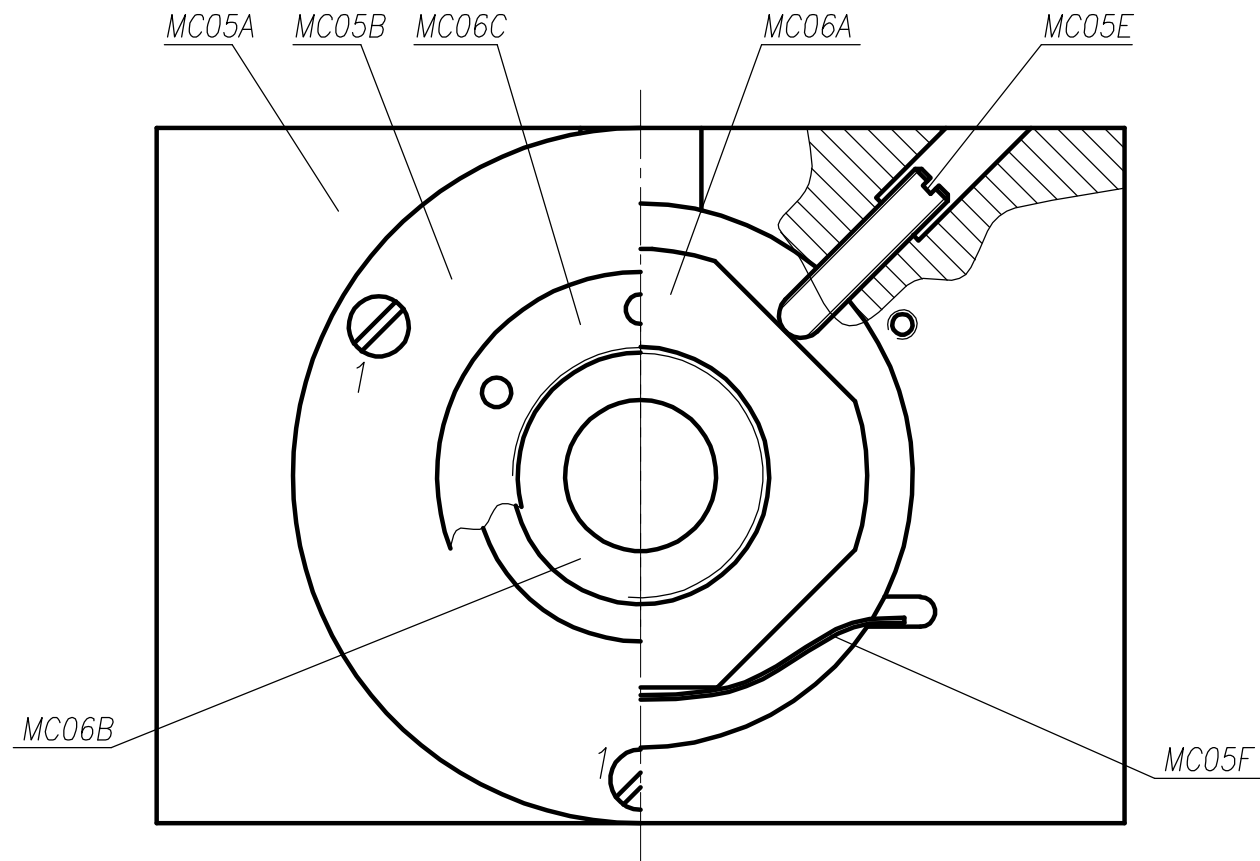
2

3

6

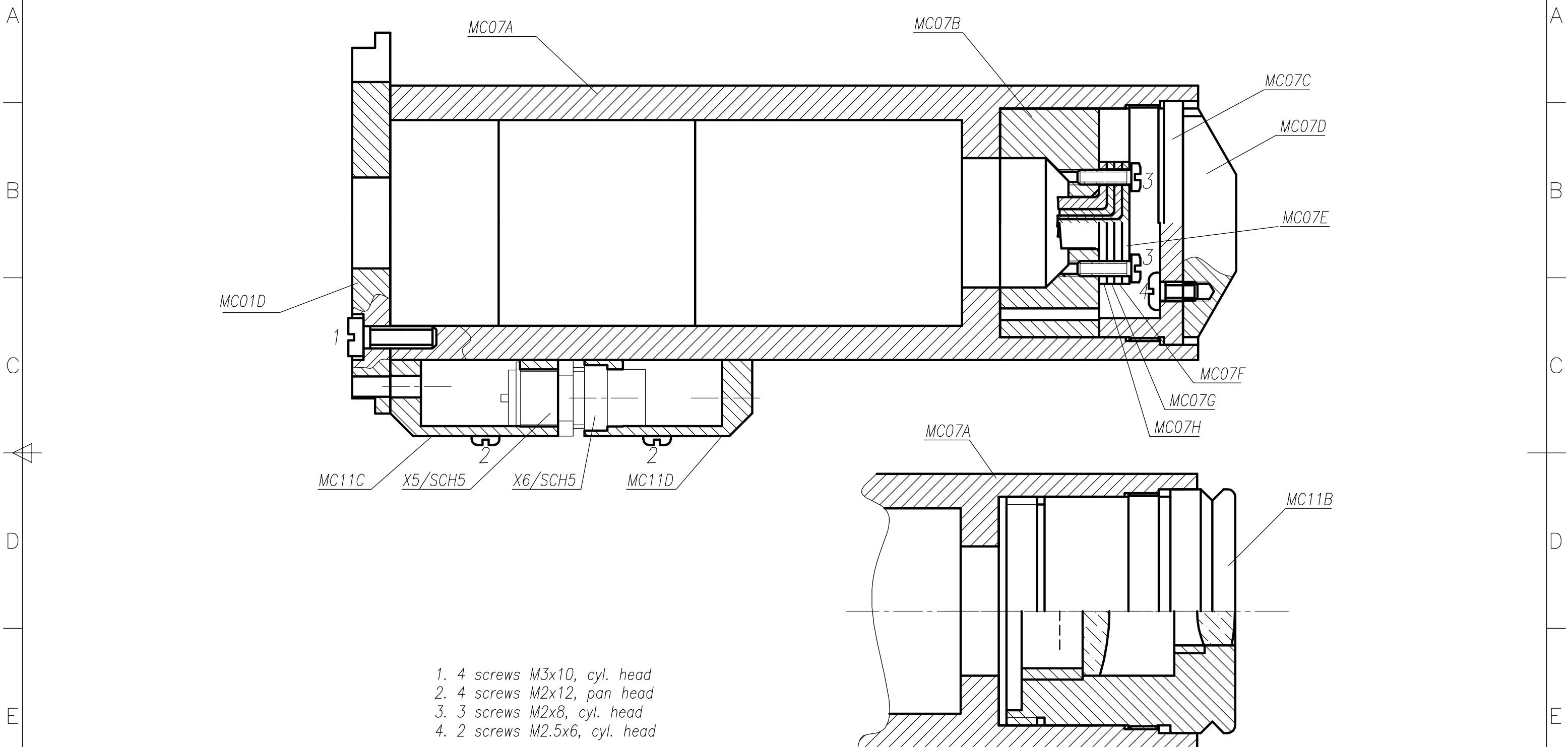
7

8



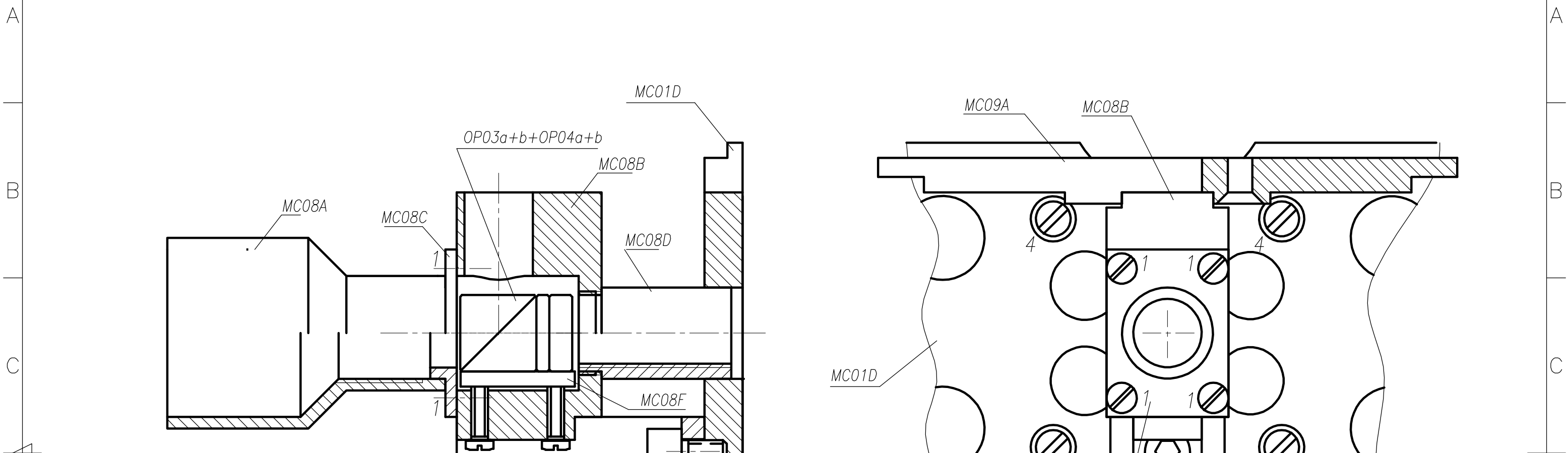
1. 3 screws M2x4, cyl. head
2. 12 screws M2x7, cyl. head
3. 4 pad MC05D glue to MC05A

Itemref	Quantity	Title/Name, designation, material, dimension etc	Article No./Reference		
Designed by Kornilov V.	Checked by Kornilov V.	Approved by - date FDR- 20/04/01	Filename as06.dwg	Date 11/02/02	Scale 2:1
MASS			Fabry lens unit assembly		
			AS06	Edition 1	Sheet 7/111



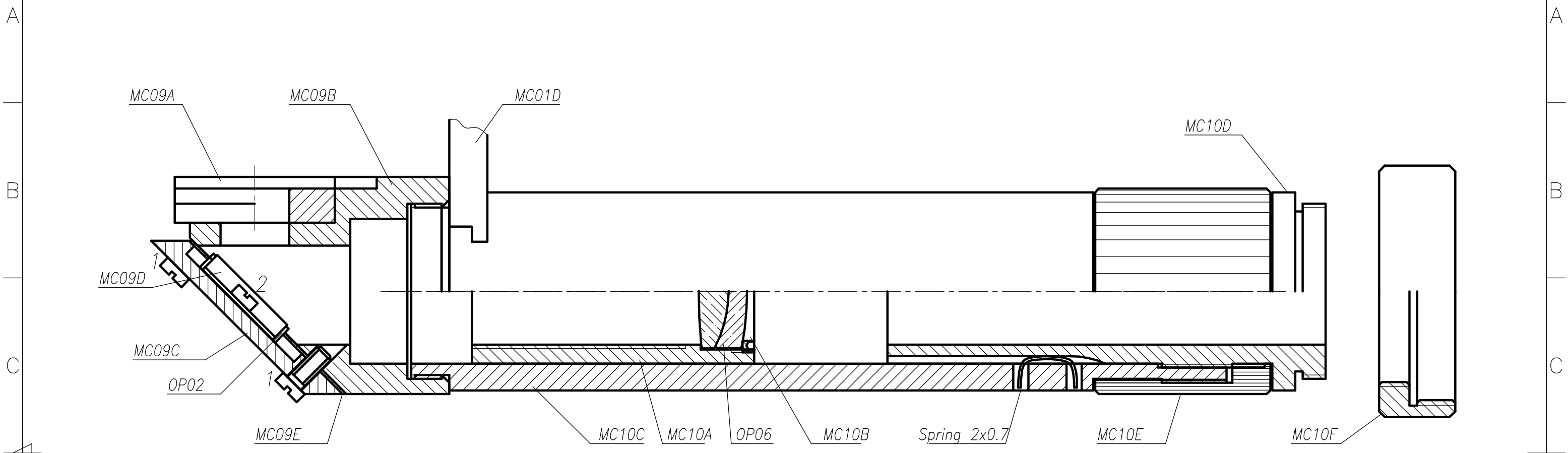
Itemref	Quantity	Title/Name, designation, material, dimension etc			Article No./Reference	
Designed by Kornilov V.	Checked by Kornilov V.	Approved by – date FDR– 15/05/01	Filename as07.dwg	Date 11/02/02	Scale 2:1	
MASS				PSU pit assembly		
				AS07	Edition 1	Sheet 8/111





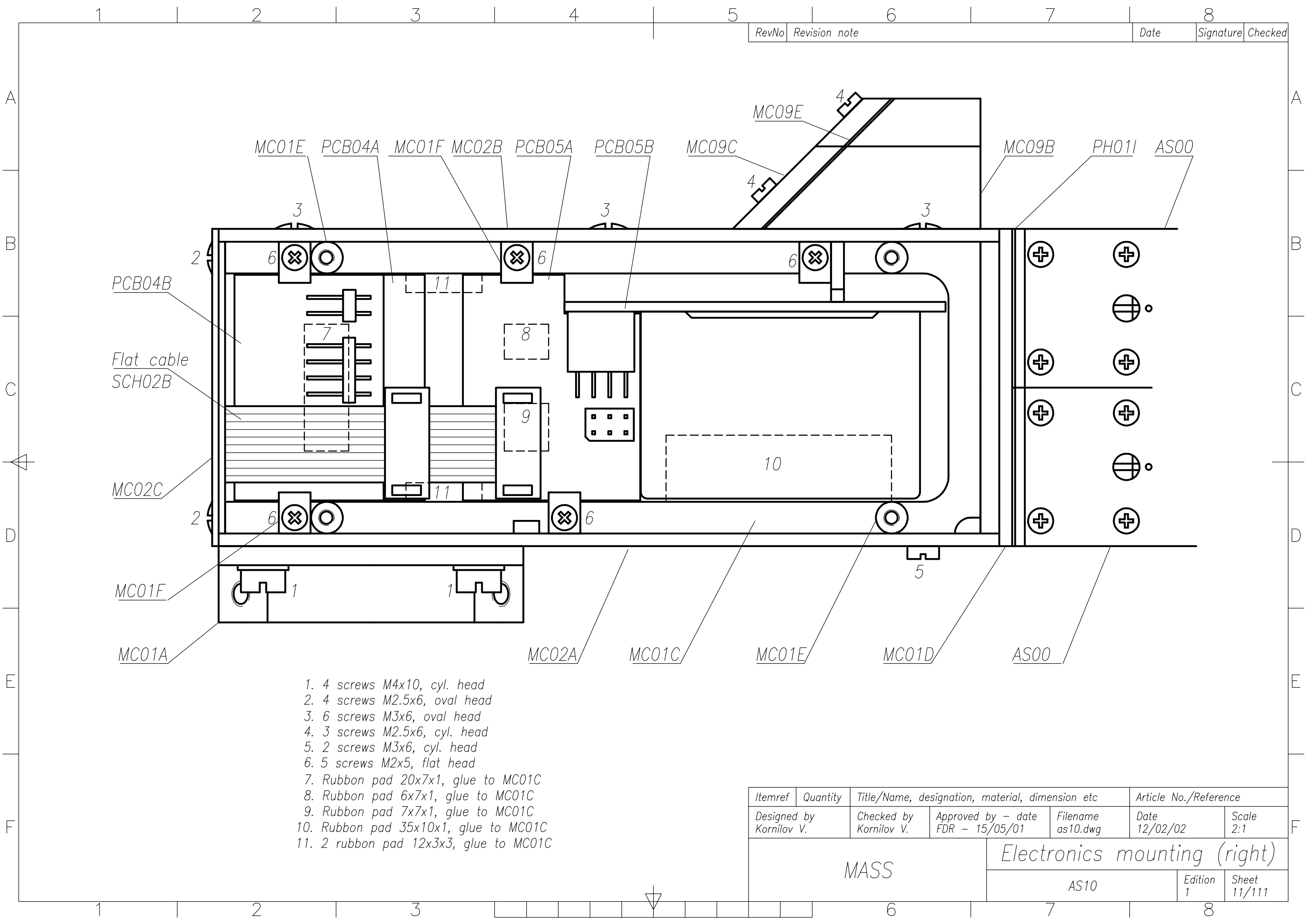
- 1. 4 screws M2x5, flat head
- 2. 2 screws M2x9, cyl. head
- 3. Srew M3x6, hex. head
- 4. 4 screws M2x10, cyl. head

Itemref	Quantity	Title/Name, designation, material, dimension etc	Article No./Reference
Designed by Kornilov V.	Checked by Kornilov V	Approved by – date FDR – 15/05/01	Filename as08.dwg
		Date 11/02/02	Scale 2:1
MASS			Beam-splitter unit assenmly
			AS08
			Edition 1
			Sheet 9/111



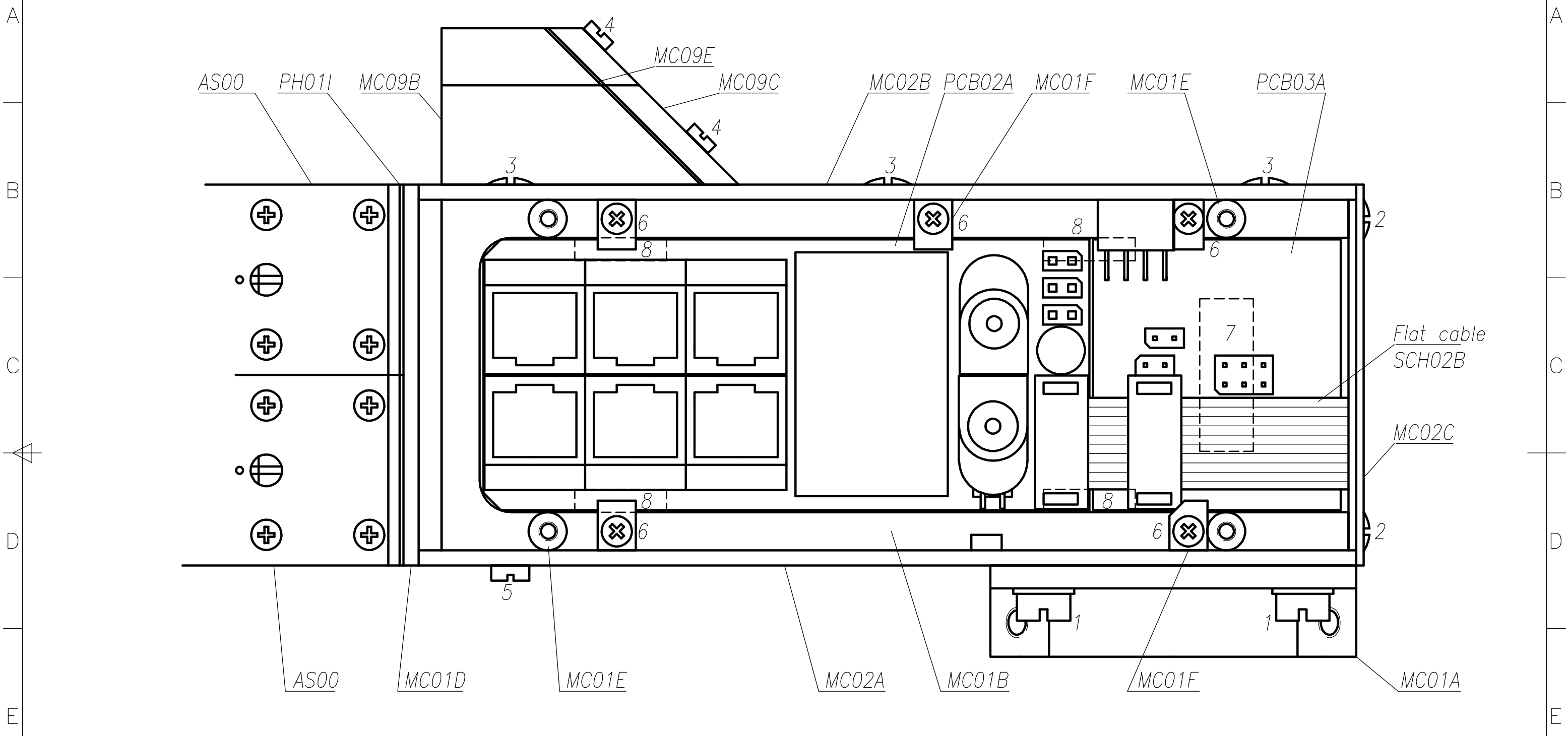
- 1. 3 screws M2.5x6, cyl. head
- 2. 2 screws M2x3, cyl. head

Itemref	Quantity	Title/Name, designation, material, dimension etc			Article No./Reference	
Designed by Kornilov V.	Checked by Kornilov V	Approved by – date FDR – 15/05/01	Filename as09.dwg	Date 12/02/02	Scale 2:1	
MASS			Viewer assembly			
			AS09		Edition 1	Sheet 10/111



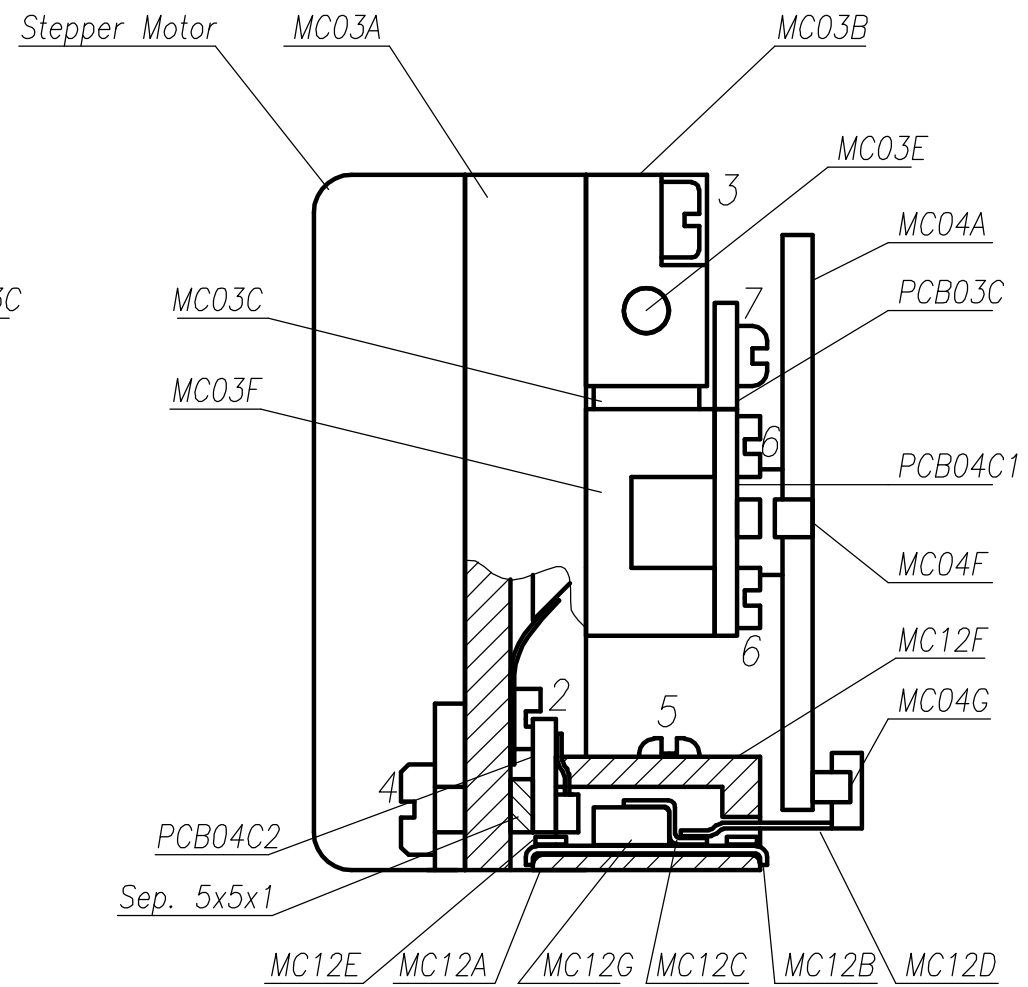
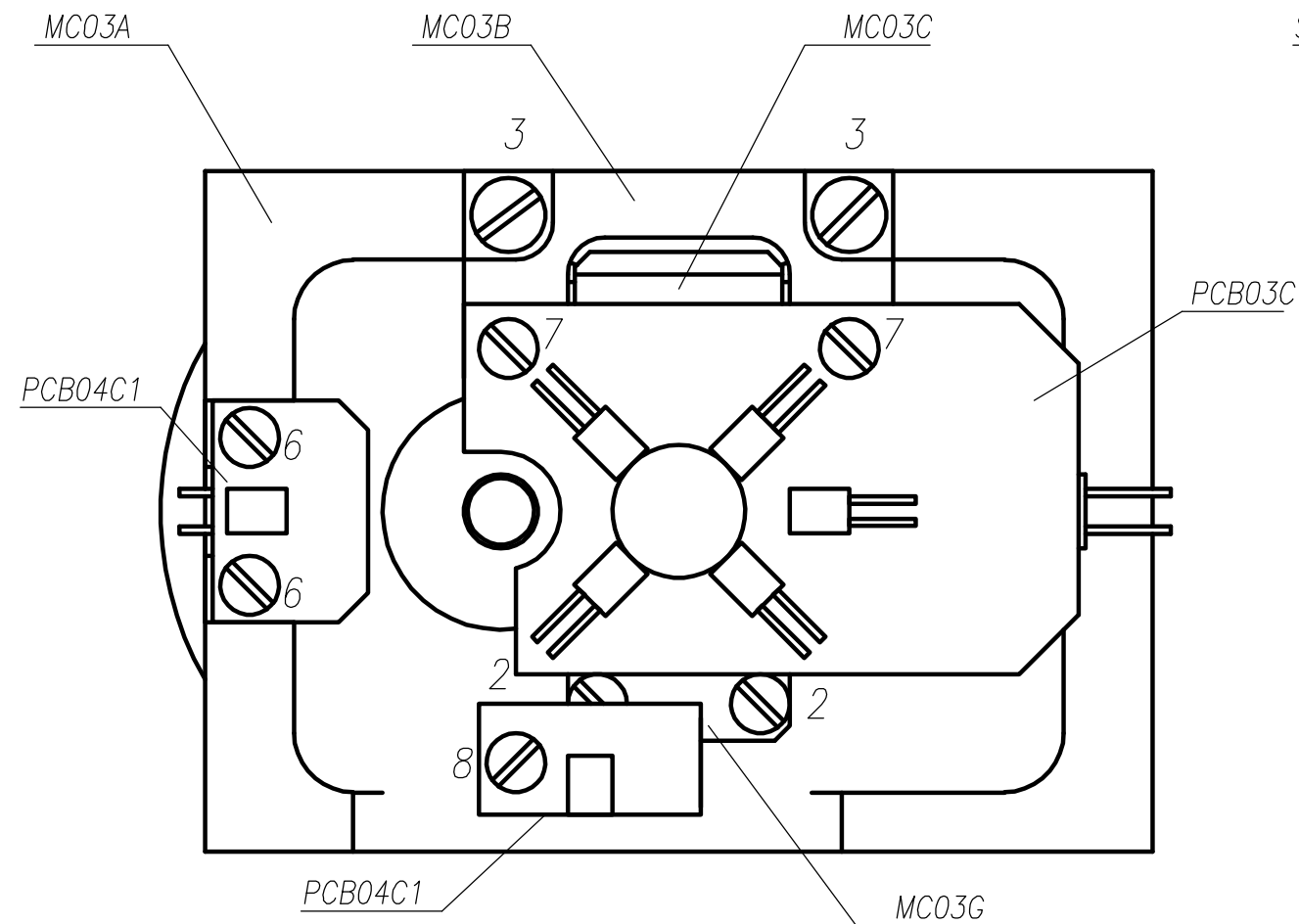
1. 4 screws M4x10, cyl. head
2. 4 screws M2.5x6, oval head
3. 6 screws M3x6, oval head
4. 3 screws M2.5x6, cyl. head
5. 2 screws M3x6, cyl. head
6. 5 screws M2x5, flat head
7. Rubbon pad 20x7x1, glue to MC01C
8. Rubbon pad 6x7x1, glue to MC01C
9. Rubbon pad 7x7x1, glue to MC01C
10. Rubbon pad 35x10x1, glue to MC01C
11. 2 rubbon pad 12x3x3, glue to MC01C

Itemref	Quantity	Title/Name, designation, material, dimension etc		Article No./Reference	
Designed by Kornilov V.	Checked by Kornilov V.	Approved by – date FDR – 15/05/01	Filename as10.dwg	Date 12/02/02	Scale 2:1
MASS				Electronics mounting (right)	
				AS10	Edition 1



- 1. 4 screws M4x10, cyl. head
- 2. 4 screws M2.5x6, oval head
- 3. 6 screws M3x6, oval head
- 4. 3 screws M2.5x6, cyl. head
- 5. 2 screws M3x6, cyl. head
- 6. 5 screws M2x5, flat head
- 7. Rubbon pad 20x7x1, glue to MC01B
- 8. 4 rubbon pad 12x3x3, glue to MC01B

Itemref	Quantity	Title/Name, designation, material, dimension etc			Article No./Reference
Designed by Kornilov V.	Checked by Kornilov V.	Approved by – date FDR – 15/05/01	Filename as11.dwg	Date 12/02/02	Scale 2:1
MASS				Electronics mounting (left)	
				AS11	Edition 1
				1	Sheet 12/111



1. PCB04C2 is connected to PCB04C1 with 3 wire
2. 2 screws M2x3, cyl. head
3. 2 screws M2.5x6, cyl. head
4. 2 screws M2.5x6, cyl. head
5. 2 screws M2x11, pan head
6. 2 screws M2x5, cyl. head, brass
7. 2 screws M2x5, pan head
8. Screw M2x5, flat head

Itemref	Quantity	Title/Name, designation, material, dimension etc	Article No./Reference
Designed by Kornilov V.	Checked by Kornilov V.	Approved by – date FDR– 20/04/01	Filename as12.dwg
		Date 12/02/02	Scale 2:1
MASS		Input door and PCB install	
		AS12	Edition 1
			Sheet 13/111